

### HXL-Series II , Vacuum / Pressure Pumps

## HXL4V

#### ◆ Mechanical Oil Pump

- Automatic Oiling.
- No Adjustment Required.
- Delivers Right Amount of Oil at All Working Levels.

#### ◆ Tangential Rotor Design

- Higher Airflow Efficiency.
- Less Vane Wear.
- Less Cylinder Wear.

#### ◆ End Thrust Protection

- Prevents Rotor-to-Endcover Contact Created by Direct P.T.O. Drive or Misaligned Belt Driven Systems.

#### ◆ Exclusive Porting Design

- Multiple Inlet and Outlet Porting Design for Greater Ease and Plumbing Versatility.

#### ◆ Double End Shaft

- Accommodates Clockwise or Counter-Clockwise Drive Systems.

#### ◆ Integral Valve

- Allows Pump to Operate in Vacuum and Pressure Mode.
- Reduces Plumbing and Installation Costs.



#### ◆ O-Ring Endcovers

- Eliminates Air or Oil Leakage.

#### ◆ Masport Quality & Performance

- Achieve Minimum 27" Hg (Intermittent).
- Precise Machining and Assembly.
- Heavy Duty Bearings.
- Viton Oil Seals for Longer Service Life.
- Kevlar Vanes are Heat Stabilized and Machined with Exacting Tolerances for Superior Ruggedness and Durability.
- Easy to Service.
- Superior Pump Life.

#### ◆ Performance Warranty

- One Year Warranty.

# PERFORMANCE DATA

## Performance Data – Vacuum

Pump R.P.M.	Displacement C.F.M.	S.C.F.M. and A.C.F.M. @ VACUUM										Maximum Vacuum – “Hg		
			5	10	15	18	20	22	24	25	26	27	Continuous	Intermittent
1100	122	SCFM	103	78	57	41	33	23	15	12	7.2	3.7	20	27
		ACFM	121	117	114	103	99	86	75	72	53	37		
1225	137	SCFM	116	88	63	46	37	26	16	14	9.6	4.1	20	27
		ACFM	136	132	127	115	111	97	80	78	71	41		
1400	156	SCFM	132	100	72	53	42	30	19	16	11	4.7	20	27
		ACFM	155	150	145	132	126	112	95	84	81	47		

## Performance Data – Pressure

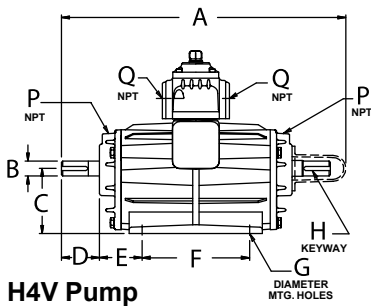
Pump R.P.M.	Displacement C.F.M.	S.C.F.M. @ P.S.I.G.							Maximum Pressure – P.S.I.G.	
		5	10	15	18	20	25	30	Continuous	Intermittent
1100	122	102	97	93	87	82	77	72	20	30
1225	137	115	109	104	98	92	87	81	20	30
1400	156	131	125	119	112	105	99	92	20	30

## Horsepower Required @ P.S.I.G.

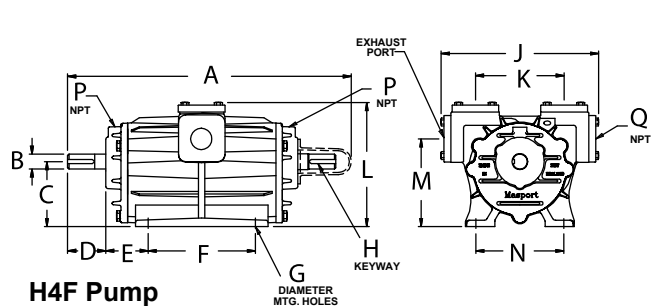
Pump R.P.M.	P.S.I.G.				
	5	10	15	20	25
1100	4.9	6.9	8.7	10.7	12.4
1225	5.5	7.7	9.7	11.9	13.8
1400	6.3	8.8	11.0	13.6	15.8

## Horsepower Required @ “Hg

Pump R.P.M.	Vacuum “Hg				
	5	10	15	20	27
1100	4.4	4.7	4.9	5.4	5.9
1225	4.9	5.2	5.5	6.0	6.6
1400	5.6	5.9	6.3	6.9	7.5



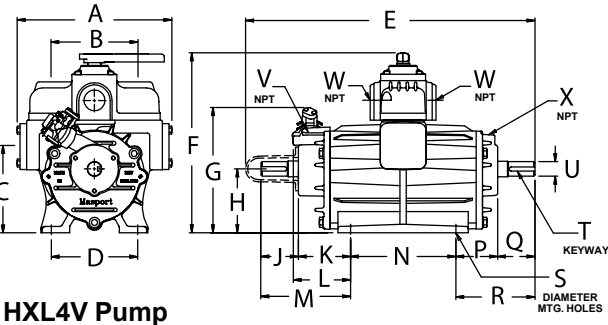
H4V Pump



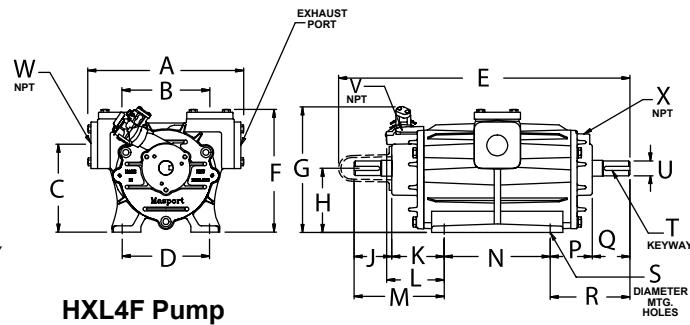
H4F Pump

	A	B	C	D	E	F	G	H	J	K	L	M	N	P	Q
H4V	21 1/16	1 1/8	4 13/16	3 19/32	3 5/32	7 31/32	9/16	5/16 x 5/16 x 2	11 11/16	6 9/16	13 19/32	6 9/16	6 17/32	1/4	1 1/2
H4F	21 1/16	1 1/8	4 13/16	3 19/32	3 5/32	7 31/32	9/16	5/16 x 5/16 x 2	11 11/16	6 9/16	9 23/32	6 9/16	6 17/32	1/4	1 1/2

ALL DIMENSIONS IN INCHES.



HXL4V Pump



HXL4F Pump

	A	B	C	D	E	F	G	H	J	K	L	M	N	P	Q	R	S	T	U	V	W	X
HXL4V	11 11/16	6 15/32	6 9/16	6 17/32	21 7/8	13 19/32	9 7/16	4 13/16	2 13/16	3 15/16	4 7/32	6 23/32	7 31/32	3 5/32	2 13/16	5 15/16	9/16	1/4 x 1/4 x 2	1 1/8	1/8	1 1/2	1/4
HXL4F	11 11/16	6 15/32	6 9/16	6 17/32	21 7/8	9 23/32	9 7/16	4 13/16	2 13/16	3 15/16	4 7/32	6 23/32	7 31/32	3 5/32	2 13/16	5 15/16	9/16	1/4 x 1/4 x 2	1 1/8	1/8	1 1/2	1/4

ALL DIMENSIONS IN INCHES.

For additional information on these quality Masport Vacuum / Pressure Pumps contact:



## MASPORT INCORPORATED

6140 McCormick Drive  
Lincoln, Nebraska 68507  
402-466-8428 FAX: 402-466-8355

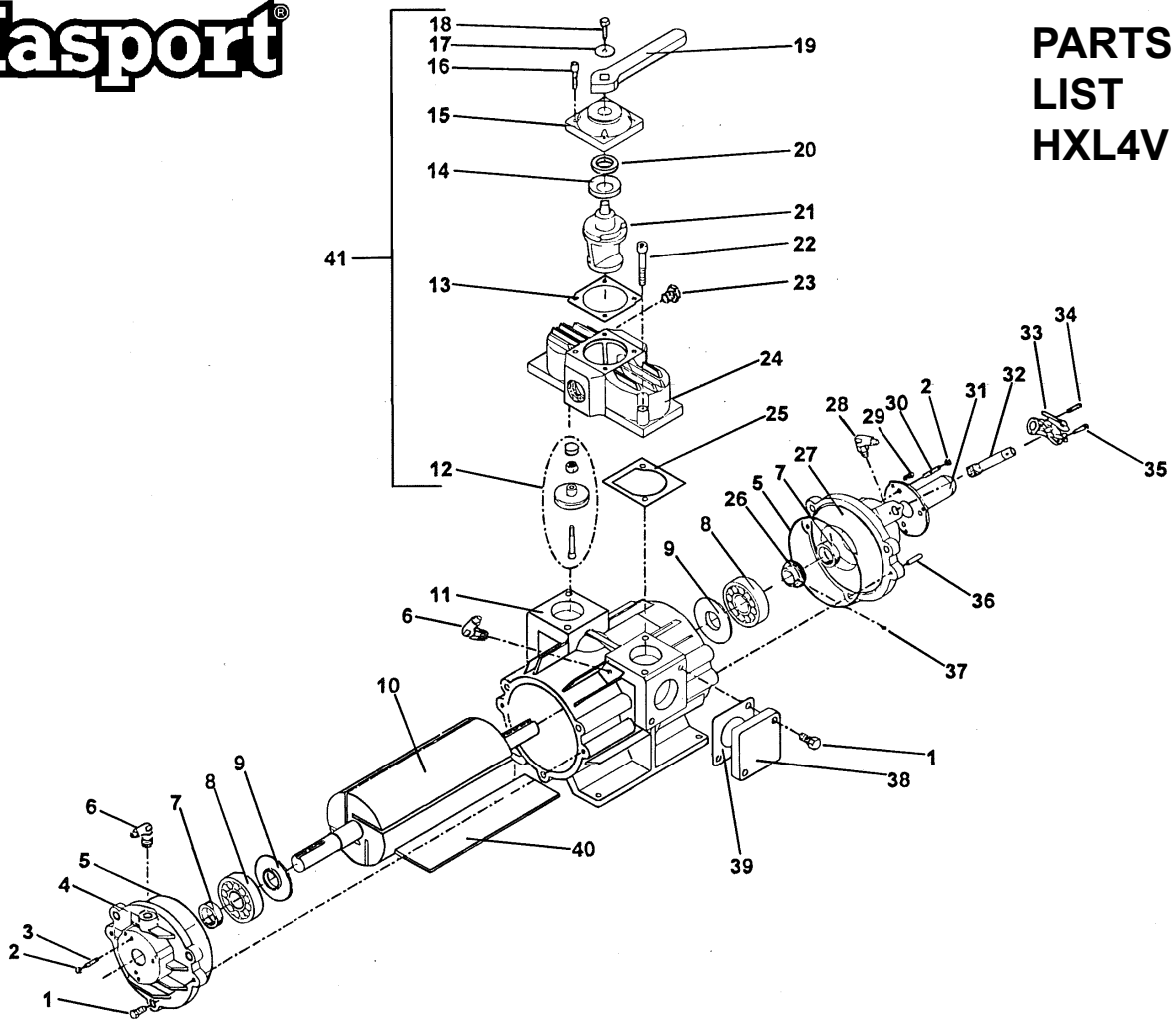
E-Mail: [masport.sales@alltel.net](mailto:masport.sales@alltel.net)

CALL TOLL FREE 800-228-4510



# Masport®

## PARTS LIST HXL4V



### HXL4V AIR COOLED PRESSURE / VACUUM PUMP PARTS LIST (968440)

Ref	Description	Part No.	Qty.	Ref	Description	Part No.	Qty.
1	Bolt	501569	10	21	Spool	968052	1
2	Nut	501682	6	23	Plug	143901	1
3	Set Screw	504274	3	24	Valve Body	968081	1
4	Endcover	975479	1	25	Gasket	568066	2
5	O-Ring	501004	2	26	Gear	568069	1
6	Swivel Elbow *	568086	3	27	Endcover	975468	1
7	Oil Seal	501676	2	28	Swivel Elbow *	568085	1
8	Bearing	500082	2	29	Bolt	501571	3
9	Bearing Spacer	975496	2	30	Set Screw	504275	3
10	Rotor Assembly (Includes 8, 9)	975469	1	31	Shaft Guard	961412	1
11	Cylinder	975471	1	32	Drive Shaft Assembly	975482	1
12	NRV Poppet Assembly	968068	1	33	Oil Pump	575437	1
13	Gasket	568063	1	34	Cap Screw	504262	1
14	Washer	568056	2	35	Cap Screw	504261	1
15	Cap	968053	1	36	Dowel Pin	575111	4
16	Cap Screw	568064	4	37	Set Screw	504264	1
17	Washer	503196	1	38	Blank Flange	975487	2
18	Bolt	501702	1	39	Gasket	568009	2
19	Handle	968055	1	40	Vane Pack (4)	975393	1
20	Oil Seal	501578	1	41	Integral Valve Assembly (Incl. 12, 13, 14, 15, 16, 17, 18, 19, 20, 21, 23, 24)	968070	1
22	Cap Screw (Serial # < 98420) (Serial # > 98419)	568065 568241	4 4	42	Oil Line (ft.) **	600293	***

\*\* NOT SHOWN

\*\*\* QUANTITY VARIES