

HXL-Series II , Vacuum / Pressure Pumps

HXL75V

◆ Mechanical Oil Pump

- Automatic Oiling.
- No Adjustment Required.
- Delivers Right Amount of Oil at All Working Levels.

◆ End Thrust Protection

- Prevents Rotor-to-Endcover Contact Created by Direct P.T.O. Drive or Misaligned Belt Driven Systems.

◆ Integral Valve

- Allows Pump to Operate in Vacuum and Pressure Mode.
- Reduces Plumbing and Installation Costs.

◆ Double End Shaft

- Accomodates Clockwise or Counter-Clockwise Drive Systems.



◆ Masport Quality & Performance

- Achieve Minimum 27" Hg (Intermittent).
- Precise Machining and Assembly.
- Heavy Duty Bearings.
- Viton Oil Seals for Longer Service Life.
- Kevlar Vanes are Heat Stabilized and Machined with Exacting Tolerances for Superior Ruggedness and Durability.
- Easy to Service.
- Superior Pump Life.

◆ Performance Warranty

- One Year Warranty.

PERFORMANCE DATA

Performance Data – Vacuum

| Pump R.P.M. | Displacement C.F.M. | S.C.F.M. and A.C.F.M. @ VACUUM | | | | | | | | | | | Maximum Vacuum – “Hg | |
|-------------|---------------------|--------------------------------|-----|-----|-----|-----|-----|-----|-----|-----|----|-----|----------------------|--------------|
| | | | 5 | 10 | 15 | 18 | 20 | 22 | 24 | 25 | 26 | 27 | Continuous | Intermittent |
| 1100 | 196 | SCFM | 140 | 110 | 79 | 61 | 47 | 36 | 22 | 15 | 9 | 3 | 20 | 27 |
| | | ACFM | 168 | 165 | 158 | 152 | 142 | 134 | 111 | 92 | 66 | 30 | | |
| 1250 | 230 | SCFM | 162 | 127 | 92 | 71 | 55 | 43 | 26 | 18 | 10 | 3.5 | 20 | 27 |
| | | ACFM | 195 | 190 | 184 | 177 | 164 | 160 | 129 | 108 | 77 | 35 | | |

Performance Data – Pressure

| Pump R.P.M. | Displacement C.F.M. | S.C.F.M. @ P.S.I.G. | | | | | | | Maximum Pressure – P.S.I.G. | |
|-------------|---------------------|---------------------|-----|-----|-----|-----|-----|-----|-----------------------------|--------------|
| | | 5 | 10 | 15 | 18 | 20 | 25 | 30 | Continuous | Intermittent |
| 1100 | 196 | 168 | 168 | 152 | 143 | 134 | 127 | 119 | 20 | 25 |
| 1250 | 230 | 193 | 184 | 175 | 165 | 154 | 146 | 136 | 20 | 25 |

Horsepower Required @ “Hg

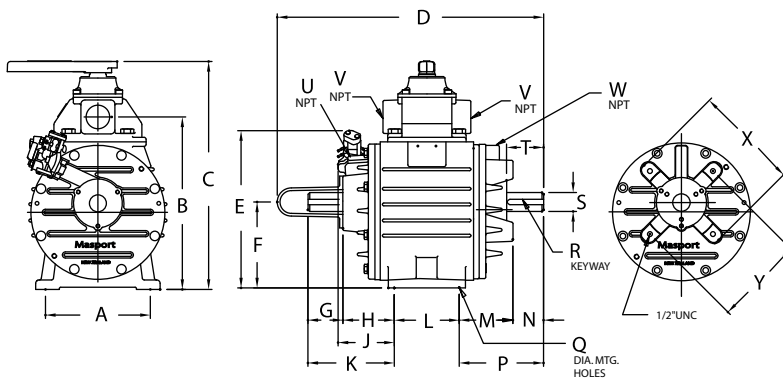
| Pump R.P.M. | Vacuum “Hg | | | | |
|-------------|------------|-----|-----|------|------|
| | 5 | 10 | 15 | 20 | 27 |
| 1000 | 6.2 | 7.4 | 7.6 | 8.5 | 9.6 |
| 1100 | 6.9 | 8.1 | 8.3 | 9.3 | 10.5 |
| 1250 | 7.8 | 9.2 | 9.7 | 10.8 | 12.3 |

Horsepower Required @ P.S.I.G.

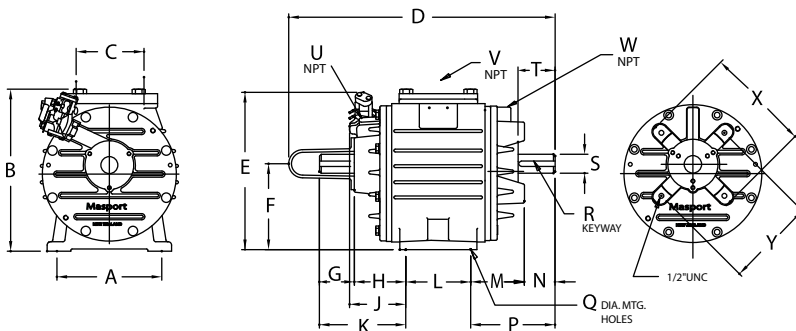
| Pump R.P.M. | P.S.I.G. | | | | |
|-------------|----------|------|------|------|------|
| | 5 | 10 | 15 | 20 | 25 |
| 1000 | 8.6 | 11.0 | 13.7 | 17.1 | 19.1 |
| 1100 | 9.4 | 12.1 | 15.0 | 18.8 | 21.0 |
| 1250 | 11.0 | 14.2 | 17.7 | 20.9 | 24.6 |

DIMENSIONAL DATA

HXL75V Pump



HXL75F Pump



| | HXL75V | HXL75F |
|---|-----------------|-----------------|
| A | 8 5/8 | 8 5/8 |
| B | 15 | 13 1/4 |
| C | 20 25/32 | 6 9/32 |
| D | 21 13/16 | 21 1/8 |
| E | 12 5/8 | 12 5/8 |
| F | 7 1/2 | 7 1/2 |
| G | 3 25/32 | 3 25/32 |
| H | 4 3/8 | 4 3/8 |
| J | 5 5/32 | 5 5/32 |
| K | 8 5/32 | 8 5/32 |
| L | 4 13/16 | 4 13/16 |
| M | 4 17/32 | 4 17/32 |
| N | 3 5/8 | 3 5/8 |
| P | 8 5/32 | 8 5/32 |
| Q | 9/16 | 9/16 |
| R | 5/16 x 5/16 x 2 | 5/16 x 5/16 x 2 |
| S | 1 3/8 | 1 3/8 |
| T | 3 5/8 | 3 5/8 |
| U | 1/8 | 1/8 |
| V | 2 1/2 | 2 |
| W | 1/4 | 1/4 |
| X | 8 15/32 | 8 15/32 |
| Y | 7 1/4 | 7 1/4 |

ALL DIMENSIONS IN INCHES.

For additional information on these quality Masport Vacuum / Pressure Pumps contact:



MASPORT INCORPORATED

6140 McCormick Drive
Lincoln, Nebraska 68507
402-466-8428 FAX: 402-466-8355

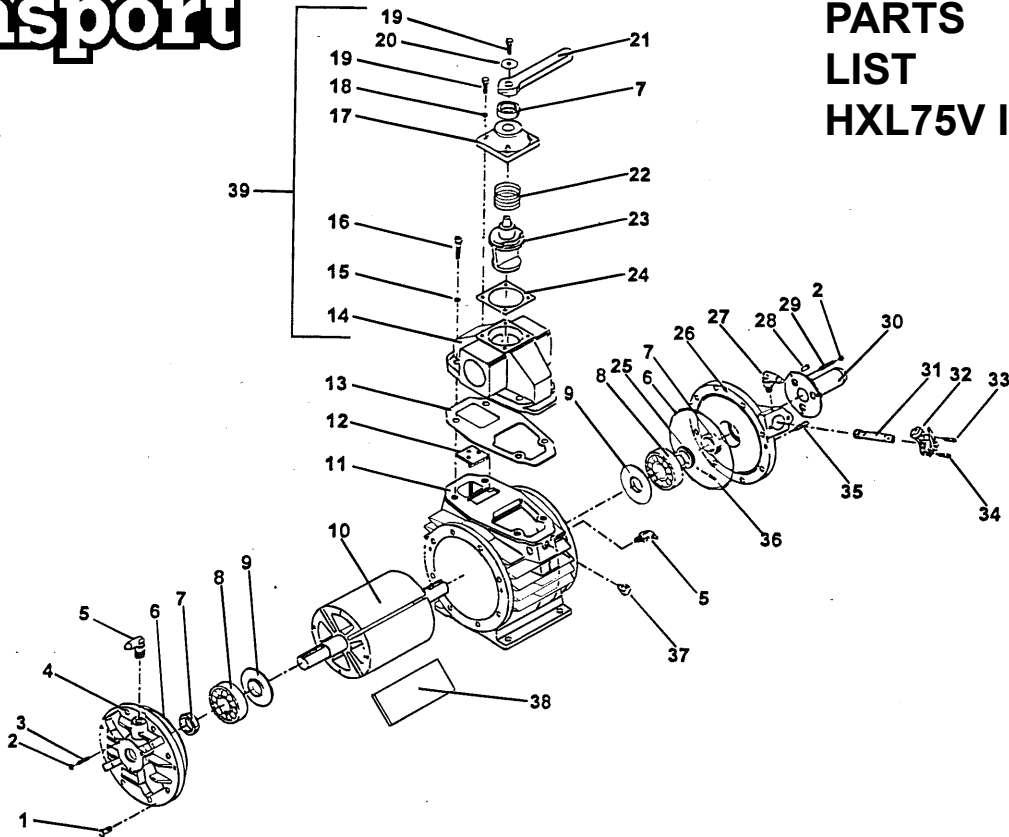
WEB: www.masportpump.com

CALL TOLL FREE 800-228-4510





PARTS LIST HXL75V II



HXL75V SERIES II AIR COOLED PRESSURE / VACUUM PUMP PARTS LIST (968675)

| Ref | Description | Part No. | Qty. | Ref | Description | Part No. | Qty. |
|-----|-----------------------------|----------|------|-----|--|----------|------|
| 1 | Bolt | 501569 | 16 | 24 | Gasket | 568044 | 1 |
| 2 | Nut | 504278 | 6 | 25 | Gear | 568158 | 1 |
| 3 | Set Screw | 504276 | 3 | 26 | Endcover | 968854 | 1 |
| 4 | Endcover | 968843 | 1 | 27 | Swivel Elbow * | 568085 | 1 |
| 5 | Swivel Elbow * | 568086 | 3 | 28 | Bolt | 501571 | 3 |
| 6 | O-Ring | 501677 | 2 | 29 | Set Screw | 504277 | 3 |
| 7 | Oil Seal | 501015 | 3 | 30 | Shaft Guard | 568622 | 1 |
| 8 | Bearing | 503098 | 2 | 31 | Drive Shaft Assembly | 968045 | 1 |
| 9 | Bearing Spacer | 968611 | 2 | 32 | Oil Pump | 575437 | 1 |
| 10 | Rotor Assembly (Incl. 8, 9) | 968614 | 1 | 33 | Cap Screw | 504262 | 1 |
| 11 | Cylinder | 968401 | 1 | 34 | Cap Screw | 504261 | 1 |
| 12 | Flap Assembly | 968026 | 1 | 35 | Dowel Pin | 503258 | 4 |
| 13 | Gasket | 568610 | 1 | 36 | Set Screw | 504264 | 1 |
| 14 | Valve Body | 968010 | 1 | 37 | Plug | 27300 | 1 |
| 15 | Washer | 500203 | 4 | 38 | Vane Pack (4) | 975539 | 1 |
| 16 | Bolt | 501666 | 4 | 39 | Integral Valve Assembly | 968003 | 1 |
| 17 | Cap | 968035 | 1 | | (Incl. 7, 14, 17, 18, 19, 20, 21, 22, 23, 24) | | |
| 18 | Washer | 501610 | 4 | 40 | Endcover Shim Gasket ** | | |
| 19 | Bolt | 501617 | 5 | | .002" Thickness | 542011 | *** |
| 20 | Washer | 501550 | 1 | | .003" Thickness | 542012 | *** |
| 21 | Handle | 968037 | 1 | 41 | Oil Line (ft.) ** | 600293 | *** |
| 22 | Spring | 568038 | 1 | | | | |
| 23 | Spool | 968094 | 1 | | | | |

** NOT SHOWN.

*** QUANTITY VARIES.