

HXL-Series II , Vacuum / Pressure Pumps

HXL15V

◆ Mechanical Oil Pump

- Automatic Oiling.
- No Adjustment Required.
- Delivers Right Amount of Oil at All Working Levels.

◆ Exclusive Porting Design

- Multiple Inlet and Outlet Porting Design on Flange Model Pumps for Greater Ease and Plumbing Versatility.

◆ End Thrust Protection

- Prevents Rotor-to-Endcover Contact Created by Direct P.T.O. Drive or Misaligned Belt Driven Systems.

◆ Integral Valve

- Allows Pump to Operate in Vacuum and Pressure Mode.
- Reduces Plumbing and Installation Costs.

◆ Double End Shaft

- Accommodates Clockwise or Counter-Clockwise Drive Systems.



◆ Masport Quality & Performance

- Achieve Minimum 27" Hg (Intermittent).
- Precise Machining and Assembly.
- Heavy Duty Bearings.
- Viton Oil Seals for Longer Service Life.
- Kevlar Vanes are Heat Stabilized and Machined with Exacting Tolerances for Superior Ruggedness and Durability.
- Easy to Service.
- Superior Pump Life.

◆ Performance Warranty

- One Year Warranty.

PERFORMANCE DATA

Performance Data – Vacuum

Pump R.P.M.	Displacement C.F.M.	S.C.F.M. and A.C.F.M. @ VACUUM											Maximum Vacuum – “Hg	
			5	10	15	18	20	22	24	25	26	27	Continuous	Intermittent
1100	303	SCFM	211	165	120	90	71	54	31	23	15	5.2	20	27
		ACFM	253	248	239	225	213	201	153	136	113	52		
1250	350	SCFM	246	175	139	104	83	62	38	26	16	6	20	27
		ACFM	295	263	278	261	248	233	192	158	118	60		

Performance Data – Pressure

Pump R.P.M.	Displacement C.F.M.	S.C.F.M. @ P.S.I.G.							Maximum Pressure – P.S.I.G.	
		5	10	15	18	20	25	30	Continuous	Intermittent
1100	303	254	242	231	217	204	192	180	20	30
1250	350	293	279	266	251	235	222	207	20	30

Horsepower Required @ P.S.I.G.

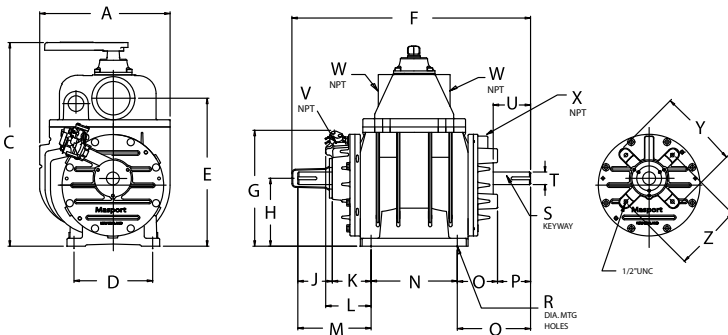
Pump R.P.M.	P.S.I.G.					
	5	10	15	20	25	30
1100	13.5	17.4	22.2	26.5	30.8	34.7
1275	15.6	20.1	25.7	30.7	35.7	40.2

Horsepower Required @ “Hg

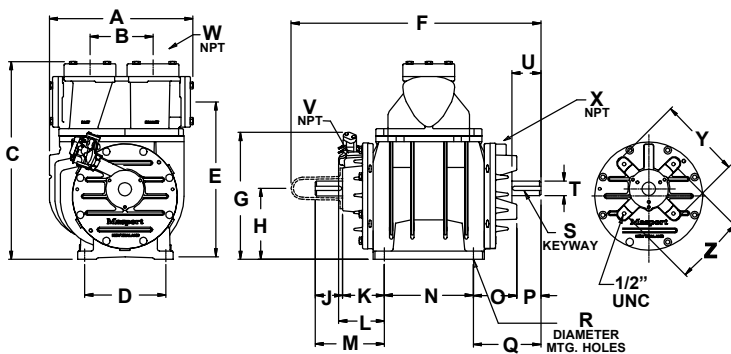
Pump R.P.M.	Vacuum “Hg				
	5	10	15	20	27
1100	10 HP	11.8 HP	12.5 HP	13.7 HP	15.4 HP
1275	11.6 HP	13.7 HP	14.5 HP	15.9 HP	17.8 HP

DIMENSIONAL DATA

HXL15V Pump



HXL15F Pump



	HXL15V	HXL15F
A	14 9/32	15 1/32
B	—	6 1/16
C	22 5/16	21
D	8 11/16	8 11/16
E	16 7/32	17 3/32
F	25 29/32	25 29/32
G	12 5/8	12 5/8
H	7 7/16	7 7/16
J	3 25/32	3 25/32
K	4 1/4	4 1/4
L	5 1/32	5 1/32
M	8 1/32	8 1/32
N	9 7/16	9 7/16
O	4 13/32	4 13/32
P	3 5/8	3 5/8
Q	8 1/32	8 1/32
R	9/16	9/16
S	5/16 x 5/16 x 2	5/16 x 5/16 x 2
T	1 3/8	1 3/8
U	4 1/8	4 1/8
V	1/8	1/8
W	3	3
X	1/4	1/4
Y	8 15/32	8 15/32
Z	7 1/4	7 1/4

ALL DIMENSIONS IN INCHES.

For additional information on these quality Masport Vacuum / Pressure Pumps contact:



MASPORT INCORPORATED

6140 McCormick Drive

Lincoln, Nebraska 68507

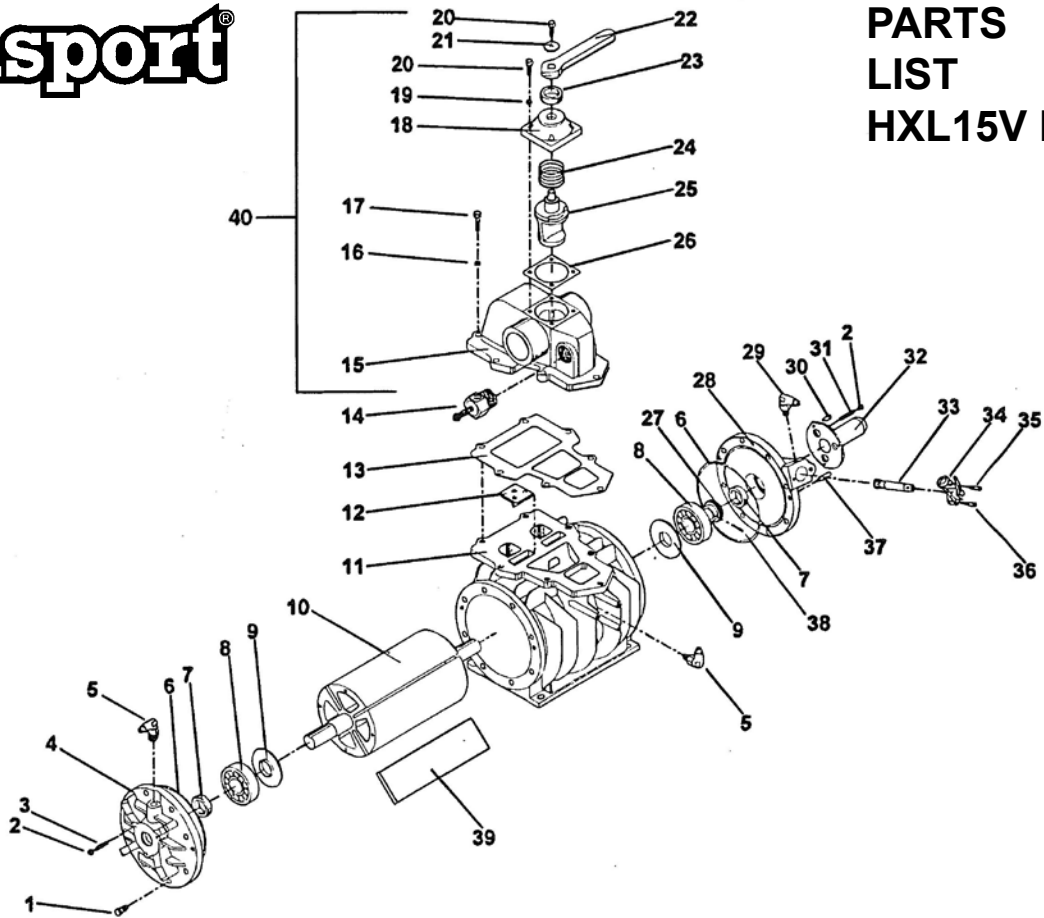
Ph: 402-466-8428 Fax: 402-466-8355

Web: www.masportpump.com

CALL TOLL FREE 800-228-4510

Masport®

PARTS LIST HXL15V II



HXL15V SERIES II AIR COOLED PRESSURE / VACUUM PUMP PARTS LIST (968880)

Ref	Description	Part No.	Qty.	Ref	Description	Part No.	Qty.
1	Bolt	501569	16	24	Spring	568038	1
2	Nut	504278	6	25	Spool	968804	1
3	Set Screw	504276	3	26	Gasket	568044	1
4	Endcover	968843	1	27	Gear	568158	1
5	Swivel Elbow	568086	3	28	Endcover	968854	1
6	O-Ring	501677	2	29	Swivel Elbow	568085	1
7	Oil Seal	501015	2	30	Bolt	501571	3
8	Bearing	503098	2	31	Set Screw	504277	3
9	Bearing Spacer	968611	2	32	Shaft Guard	568622	1
10	Rotor Assembly (Incl. 8, 9)	968848	1	33	Drive Shaft Assembly	968045	1
11	Cylinder	968881	1	34	Oil Pump	568437	1
12	Flap Assembly	968026	2	35	Cap Screw	504262	1
13	Gasket	568884	1	36	Cap Screw	504261	1
14	Vacuum Relief Valve	25056	1	37	Dowel Pin	503258	4
15	Valve Body	968883	1	38	Set Screw	504264	1
16	Washer	500203	7	39	Vane Pack (4)	968218	1
17	Bolt	501666	7	40	Integral Valve Assembly	968887	1
18	Cap	968035	1		(Incl. 15,18,19,20,21, 22, 23, 24, 25, 26)		
19	Washer	501610	4	41	Endcover Shim Gasket *		
20	Bolt	501617	5		.002" Thickness	542011	**
21	Washer	501550	1		.003" Thickness	542012	**
22	Handle	968037	1	42	Oil Line (ft.) *	600293	**
23	Oil Seal	501674	1				

* NOT SHOWN. ** QUANTITY VARIES.