

HXL-Series II , Vacuum / Pressure Pumps

HXL3V

◆ Mechanical Oil Pump

- Automatic Oiling.
- No Adjustment Required.
- Delivers Right Amount of Oil at All Working Levels.

◆ End Thrust Protection

- Prevents Rotor-to-Endcover Contact Created by Direct P.T.O. Drive or Misaligned Belt Driven Systems.

◆ Double End Shaft

- Accommodates Clockwise or Counter-Clockwise Drive Systems.

◆ Integral Valve

- Allows Pump to Operate in Vacuum and Pressure Mode.
- Reduces Plumbing and Installation Costs.

◆ Exclusive Porting Design

- Multiple Inlet and Outlet Porting Design for Greater Ease and Plumbing Versatility.



◆ Masport Quality & Performance

- Achieve Minimum 27" Hg (Intermittent).
- Precise Machining and Assembly.
- Heavy Duty Bearings.
- Viton Oil Seals for Longer Service Life.
- Kevlar Vanes are Heat Stabilized and Machined with Exacting Tolerances for Superior Ruggedness and Durability.
- Easy to Service.
- Superior Pump Life.

◆ Performance Warranty

- One Year Warranty.

PERFORMANCE DATA

Performance Data – Vacuum

Pump R.P.M.	Displacement C.F.M.	S.C.F.M. and A.C.F.M. @ VACUUM										Maximum Vacuum – “Hg		
			5	10	15	18	20	22	24	25	26	27	Continuous	Intermittent
1225	78	SCFM	64	50	38	29	24	18	14	11	8	6	20	27
		ACFM	77	76	75	71	70	69	68	67	64	57		
1425	91	SCFM	73	58	43	33	27	21	15	12	9	6.2	20	27
		ACFM	88	87	86	82	81	77	75	74	69	62		
1750	112	SCFM	97	77	54	43	35	27	20	16	12	8.2	20	27
		ACFM	110	109	108	102	101	99	98	96	91	82		

Performance Data – Pressure

Pump R.P.M.	Displacement C.F.M.	S.C.F.M. @ P.S.I.G.							Maximum Pressure – P.S.I.G.	
		5	10	15	18	20	25	30	Continuous	Intermittent
1225	78	71	67	64	61	59	56	54	15	15
1425	91	83	79	75	72	68	66	63	15	15
1750	112	102	97	92	88	84	81	77	15	15

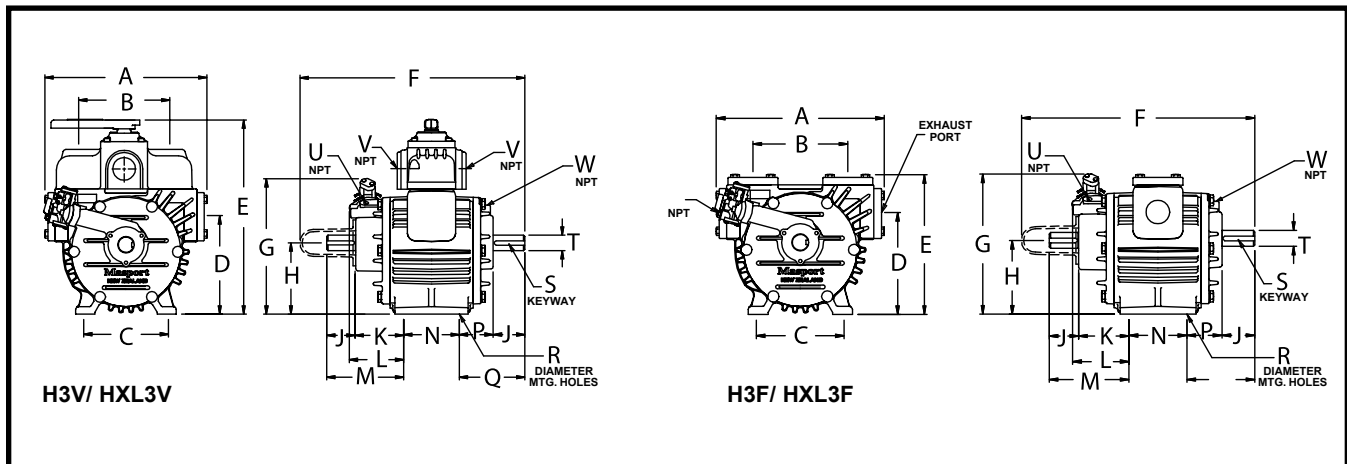
Horsepower Required @ “Hg

Pump R.P.M.	Vacuum “Hg				
	5	10	15	20	26
1225	2.4	2.8	3.0	3.4	3.9
1425	2.8	3.3	3.5	3.9	4.5
1750	4.0	4.7	5.0	5.7	6.5

Horsepower Required @ P.S.I.G.

Pump R.P.M.	P.S.I.G.		
	5	10	15
1225	3.5	5.0	6.3
1425	4.0	5.8	7.3
1750	5.0	7.1	9.0

DIMENSIONAL DATA



	A	B	C	D	E	F	G	H	J	K	L	M	N	P	Q	R	S	T	U	V	W
HXL3V	11 11/16	6 7/16	6 3/32	7	13 16/32	16 1/32	8 27/32	5	2 9/32	3 1/32	3 7/32	4 23/32	4	2 15/32	4 23/32	15/32	7mm x 8mm x 1 3/8	25mm	1/8	1 1/2	1/4
HXL3F	11 11/16	6 7/16	6 3/32	7	9 23/32	16 1/32	8 27/32	5	2 9/32	3 1/32	3 7/32	4 23/32	4	2 15/32	4 23/32	15/32	7mm x 8mm x 1 3/8	25mm	1/8	1 1/2	1/4
H3V	11 11/16	6 7/16	6 3/32	7	13 31/32	15 7/16	---	5	2 9/32	2 15/32	---	---	4	---	---	15/32	7mm x 8mm x 1 3/8	25mm	---	1 1/2	1/4
H3F	11 11/16	6 7/16	6 3/32	7	9 23/32	15 7/16	---	5	2 9/32	2 15/32	---	---	4	---	---	15/32	7mm x 8mm x 1 3/8	25mm	---	1 1/2	1/4

For additional information on these quality Masport Vacuum / Pressure Pumps contact:



MASPORT INCORPORATED

6140 McCormick Drive
Lincoln, Nebraska 68507
402-466-8428 FAX: 402-466-8355

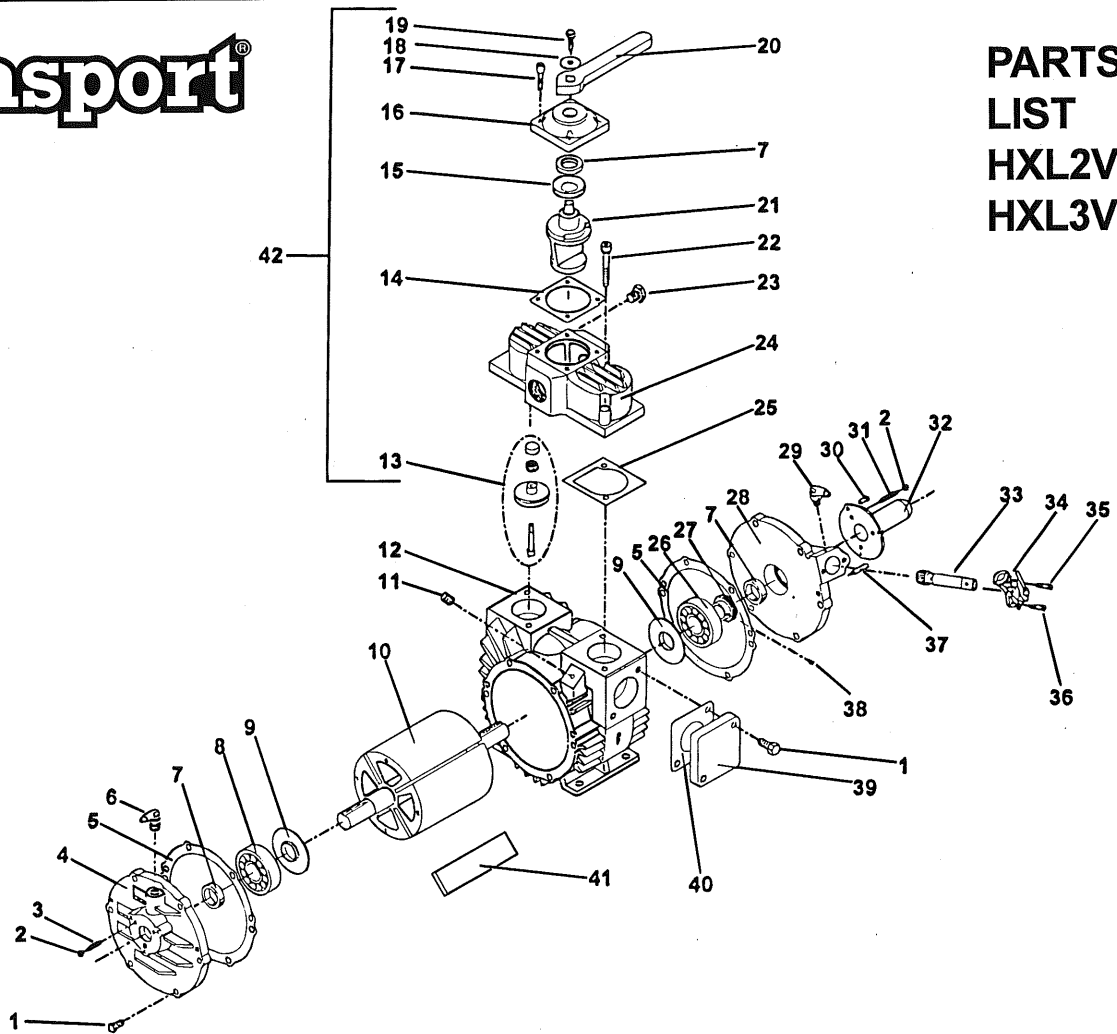
WEB: www.masportpump.com

CALL TOLL FREE 800-228-4510



Masport®

PARTS LIST HXL2V/ HXL3V



HXL2V/HXL3V, AIR COOLED PRESSURE / VACUUM PUMP PARTS LIST

Ref	Description	Part No.	Part No.	Qty.	Ref	Description	Part No.	Part No.	Qty.
1	Bolt	501569	501569	16	23	Cap Screw			
2	Nut	220221	220221	6		(Serial # < 98420)	568065	568065	4
3	Set Screw	503225	503225	3		(Serial # > 98419)	568241	568241	4
4	Endcover	968242	968242	1	24	Valve Body	968081	968081	1
5	Endcover Shim Gasket				25	Gasket	568066	568066	2
	.002" Thickness	575006	575006	***	26	Bearing	501575	501575	1
	.003" Thickness	575007	575007	***	27	Gear	568071	568071	1
6	Swivel Elbow *	568086	568086	1	28	Endcover	968243	968243	1
7	Oil Seal	501578	501578	3	29	Swivel Elbow *	568085	568085	1
8	Bearing	501577	501577	1	30	Bolt	503227	503227	3
9	Bearing Spacer	575131	575131	2	31	Set Screw	503226	503226	3
10	Rotor Assembly	968126	968246	1	32	Shaft Guard	975264	975264	1
	(Includes 8, 9, 25)				33	Drive Shaft Assembly	968045	968045	1
11	Plug	_____	_____	2	34	Oil Pump	575366	575366	1
12	Cylinder	975541	975551	1	35	Cap Screw	504262	504262	1
13	NRV Poppet Assembly	968068	968068	1	36	Cap Screw	504261	504261	1
14	Gasket	568063	568063	1	37	Dowel Pin	575111	575111	4
15	Washer	568056	568056	2	38	Set Screw	504264	504264	1
16	Cap	968053	968053	1	39	Blank Flange	975487	975487	2
17	Cap Screw	568064	568064	4	40	Gasket	568009	568009	2
18	Washer	503196	503196	1	41	Vane Pack (4)	975536	968236	1
19	Bolt	501702	501702	1	42	Integral Valve Assembly	968070	968070	1
20	Handle	968055	968055	1		(Incl. 7,13,14,15,16,17, 18, 19, 20, 21, 23, 24)			
21	Spool	968052	968052	1	43	Oil Line (ft.) **	600293	600293	***
22	Plug	143901	143901	1					

* NOTE: #6 and #28 CHECK VALVES USED ON EARLIER MODELS ONLY, ** NOT SHOWN. *** QUANTITY VARIES.